

AI Road Traffic Pro Bullet Plus Camera

AF Lens



DATASHEET

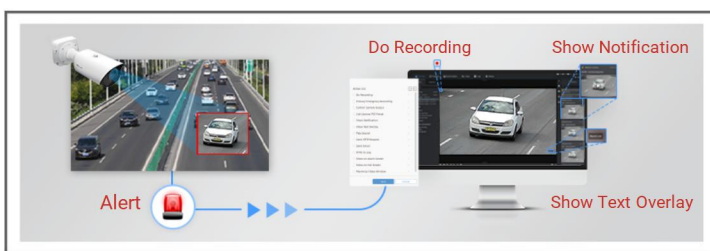


KEY FEATURES

- ▶ Superior Image Quality (Starlight Sensor, Smart IR II Technology, 4K Video Viewing Experience and high frame rate are supported for an excellent image quality.)
- ▶ Evidence Camera Linkage (Link with any regular cameras to capture the overview snapshots as evidence.)
- ▶ LPR Smart Search (Relevant videos can be found quickly by searching for only a portion of the target suspect vehicle's features, such as vehicle type & color, plate color, plate number, direction and etc.)
- ▶ Traffic Flow Statistics (The vehicle counting result based on vehicle type, vehicle make and various vehicle features can be shown intuitively in camera's live view and the camera can also generate useful report insights to aid in improved decision-making.)

Traffic Violation Detection

AI-based road traffic cameras accurately detect and alert violation events such as No-plate Vehicle Detection, Specific Lane Detection, Reverse Driving Detection, Black/White List Detection and Vehicle Event Detection based on recognized vehicle features.



Intelligent AI-powered LPR Algorithm

The AI Road Traffic Pro Bullet Plus Camera can not only recognize vehicle plates in real time, but also identify more vehicle features, like vehicle type, color, etc., generating reliable traffic insights to improve safety and mobility.



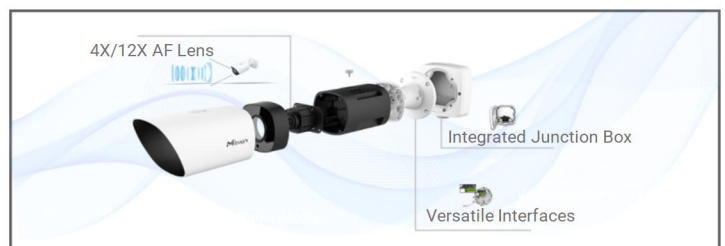
Traffic Flow Statistics

Traffic flow statistics greatly enhance traffic management capabilities. The vehicle counting result based on vehicle type, vehicle make and various vehicle features can be shown intuitively in camera's live view and the camera can also generate useful report insights to aid in improved decision-making.



Easy Deployment and Compact Structure

To enhance visual clarity, the AI Road Traffic Pro Bullet Plus Camera features 4X/12X autofocus lens with corresponding algorithms. And the well-designed integrated junction box and versatile interfaces ensure installation efficiency.



AI Road Traffic Pro Bullet Plus Camera



	Name	TS4466-X4RPE (4MP)	TS2966-X12TPE (2MP)	TS5366-X12PE (5MP)
Camera	Image Sensor	1/1.8" Progressive Scan CMOS		1/2.8" Progressive Scan CMOS
	Min. Illumination	Color: 0.005Lux@F1.6 B/W: 0Lux with IR on		Color: 0.008Lux@F1.6 B/W: 0Lux with IR on
	WDR	120dB Super WDR		
	Shutter Time	1/100000s~1s		
	Day/Night Mode	Day/Night/Auto/Customize/Schedule		
	IR Wave Length	850nm (Default); 740nm (Optional)		
	Illumination Distance	Up to 180m		
	S/N	>55dB		
Lens	Lens	8~32mm, 4X Optical Zoom		5.3~64mm, 12X Optical Zoom
	Field of View	H44°~H13°/D51°~D15°/V25°~V7°	H61°~H5°/D69°~D5°/V36°~V2°	H57°~H4°/D69°~D5°/V44°~V1°
	Mount	Φ14		
	Focus Control	Auto/Manual		
	Aperture	F1.6~F1.7	F1.6~F2.8	
	Iris Control	Auto		
Road Traffic Management	Max. Vehicle Speed	100km/h		
	Recognition Accuracy	>95%		
	Coverage	2 lanes		
	Country Region Supported	More than 80 countries and regions		
	ANPR Distance	Up to 95m during the day; Up to 45m during the night with illumination	Up to 110m during the day; Up to 55m during the night with illumination	Up to 150m during the day; Up to 80m during the night with illumination
	Attributes Identification	Plate Color, Vehicle Type, Vehicle Color, Vehicle Brand, No-plate Vehicle Capture, Vehicle Direction Detection		
	Smart Traffic Function	Evidence Camera Linkage, Specific Lane Management		
	White/Black List	Up to 20,000 records inside the camera		
	LPR Smart Search	Support		
Interface	Ethernet	1*RJ45 10M/100M Ethernet Port		
	Audio I/O	1/1		
	Alarm I/O	1/1 (Integrated Cable Version) 2/2 (Cable Out Version)		
Video	Max. Image Resolution	2688x1520	1920x1080	2592x1944
	Primary Stream	60Hz: 60fps@(2688x1520, 2304x1296, 1920x1080, 1280x720) 50Hz: 50fps@(2688x1520, 2304x1296, 1920x1080, 1280x720)	60Hz/50Hz: 90fps@(1920x1080, 1280x960, 1280x720, 704x576)	60Hz: 30fps@(2592x1944, 2592x1520, 2048x1536, 1920x1080, 1280x960, 1280x720, 704x576) 50Hz: 25fps@(2592x1944, 2592x1520, 2048x1536, 1920x1080, 1280x960, 1280x720, 704x576)

AI Road Traffic Pro Bullet Plus Camera



Video	Secondary Stream	60Hz: 60fps@(704x576, 640x480, 640x360, 352x288, 320x240) 50Hz: 50fps@(704x576, 640x480, 640x360, 352x288, 320x240)	60Hz: 30fps@(704x576, 640x480, 640x360, 352x288, 320x240) 50Hz: 25fps@(704x576, 640x480, 640x360, 352x288, 320x240)	
	Tertiary Stream	60Hz: 30fps@(1280x720, 704x576, 640x480, 640x360, 320x240) 50Hz: 25fps@(1280x720, 704x576, 640x480, 640x360, 320x240)	60Hz: 30fps@(1920x1080, 1280x720, 704x576, 640x480, 640x360, 320x240) 50Hz: 25fps@(1920x1080, 1280x720, 704x576, 640x480, 640x360, 320x240)	
	Video Compression	H.265+/H.265(HEVC)/H.264+/H.264/MJPEG		
	Video Bit Rate	16Kbps~16Mbps(CBR/VBR Adjustable)		
	Privacy Masking	Up to 8 Areas (Mask Area and Mosaic Area are optional)		
	ROI	Up to 8 areas		
	Image Setting	Brightness/Contrast/Saturation/Sharpness		
Network	Network Storage	NAS(Support NFS, SMB/CIFS), ANR		
	Protocol	IPv4/IPv6, ARP, TCP, UDP, RTCP, RTP, RTSP, RTMP, HTTP, HTTPS, DNS, DDNS, DHCP, FTP, NTP, SMTP, SNMP, UPnP, Bonjour, SIP, PPPoE, VLAN, 802.1x, QoS, IGMP, ICMP, SSL		
Audio	Audio Compression	G.711/AAC/G.722/G.726		
	Audio Sampling Rate	8/16/32/44.1/48KHz		
	Audio Bit Rate	16~256kbps		
	Two-way Audio	Support		
System	System Compatibility	API, HTTP, TCP, ONVIF Profile G & M & S & T		
	Storage	Support microSD/SDHC/SDXC Card Local Storage, up to 1TB		
	Advanced Function	BLC, HLC, 2D DNR, 3D DNR, Defog, AWB, IP Address Filtering, AGC, Anti-flicker, Corridor Mode, Deblur, Watermark		
	SIP/VoIP Support	Yes, Voice & Video-over-IP		
	Event Trigger	Black/White List, Attributes Event, Motion Detection, Network Disconnection, External Input, Audio Alarm, etc.		
	Event Action	FTP Upload, SMTP Upload, SD Card Record, External Output, SIP Phone, HTTP Notification, etc		
General	Working Temperature	-40°C~60°C		
	Working Humidity	5~90%(Non-condensing)		
	Power Supply	PoE (802.3at) / DC 12V ± 10%		
	Power Consumption	8W MAX 13W MAX (With IR on)	8W MAX 14W MAX (With IR on)	8W MAX 13W MAX (With IR on)
	Weather Proof	Up to IP67-rated for Weather-resistant Performance		
	Housing	Vandal-proof IK10-rated Metal Housing		
	Surge Protection	4KV		
	Weight	1623g		
	Dimensions	320mmX134mmX171mm		
	Warranty	3/5 Years		

AI Road Traffic Pro Bullet Plus Camera



	Name	TS8266-X4PE (4K)
Camera	Image Sensor	1/1.8" Progressive Scan CMOS
	Min. Illumination	Color: 0.009Lux@F1.6 B/W: 0Lux with IR on
	WDR	120dB Super WDR
	Shutter Time	1/100000s~1s
	Day/Night Mode	Day/Night/Auto/Customize/Schedule
	IR Wave Length	850nm (Default); 740nm (Optional)
	Illumination Distance	Up to 180m
	S/N	>55dB
Lens	Lens	8~32mm, 4X Optical Zoom
	Field of View	H44°~H13°/D51°~D15°/V25°~V7°
	Mount	Φ14
	Focus Control	Auto/Manual
	Aperture	F1.6~F1.7
	Iris Control	Auto
Road Traffic Management	Max. Vehicle Speed	100km/h
	Recognition Accuracy	>95%
	Coverage	2 lanes
	Country Region Supported	More than 80 countries and regions
	ANPR Distance	Up to 130m during the day; Up to 60m during the night with illumination
	Attributes Identification	Plate Color, Vehicle Type, Vehicle Color, Vehicle Brand, No-plate Vehicle Capture, Vehicle Direction Detection
	Smart Traffic Function	Evidence Camera Linkage, Specific Lane Management
	White/Black List	Up to 20,000 records inside the camera
Interface	Ethernet	1*RJ45 10M/100M Ethernet Port
	Audio I/O	1/1
	Alarm I/O	1/1 (Integrated Cable Version) 2/2 (Cable Out Version)
Video	Max. Image Resolution	3840x2160
	Primary Stream	60Hz: 30fps@(3840x2160, 3072x2048, 2592x1944, 2592x1520, 2048x1536, 1920x1080, 1280x960, 1280x720, 704x576) 50Hz: 25fps@(3840x2160, 3072x2048, 2592x1944, 2592x1520, 2048x1536, 1920x1080, 1280x960, 1280x720, 704x576)
	Secondary Stream	60Hz: 60fps@(704x576, 640x480, 640x360, 352x288, 320x240) 50Hz: 50fps@(704x576, 640x480, 640x360, 352x288, 320x240)
	Tertiary Stream	60Hz: 30fps@(1920x1080, 1280x720, 704x576, 640x480, 640x360, 320x240) 50Hz: 25fps@(1920x1080, 1280x720, 704x576, 640x480, 640x360, 320x240)
	Video Compression	H.265+/H.265(HEVC)/H.264+/H.264/MJPEG

AI Road Traffic Pro Bullet Plus Camera



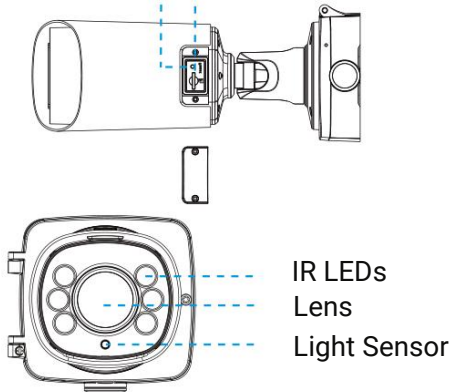
	Video Bit Rate	16Kbps~16Mbps(CBR/VBR Adjustable)
	Privacy Masking	Up to 8 Areas (Mask Area and Mosaic Area are optional)
	ROI	Up to 8 areas
	Image Setting	Brightness/Contrast/Saturation/Sharpness
Network	Network Storage	NAS(Support NFS, SMB/CIFS), ANR
	Protocol	IPv4/IPv6, ARP, TCP, UDP, RTCP, RTP, RTSP, RTMP, HTTP, HTTPS, DNS, DDNS, DHCP, FTP, NTP, SMTP, SNMP, UPnP, Bonjour, SIP, PPPoE, VLAN, 802.1x, QoS, IGMP, ICMP, SSL
Audio	Audio Compression	G.711/AAC/G.722/G.726
	Audio Sampling Rate	8/16/32/44.1/48KHz
	Audio Bit Rate	16~256kbps
	Two-way Audio	Support
System	System Compatibility	API, HTTP, TCP, ONVIF Profile G & M & S & T
	Storage	Support microSD/SDHC/SDXC Card Local Storage, up to 1TB
	Advanced Function	BLC, HLC, 2D DNR, 3D DNR, Defog, AWB, IP Address Filtering, AGC, Anti-flicker, Corridor Mode, Deblur, Watermark
	SIP/VoIP Support	Yes, Voice & Video-over-IP
	Event Trigger	Black/White List, Attributes Event, Motion Detection, Network Disconnection, External Input, Audio Alarm, etc.
	Event Action	FTP Upload, SMTP Upload, SD Card Record, External Output, SIP Phone, HTTP Notification, etc
General	Working Temperature	-40°C~60°C
	Working Humidity	5~90%(Non-condensing)
	Power Supply	PoE (802.3at) / DC 12V ± 10%
	Power Consumption	9W MAX 13W MAX (With IR on)
	Weather Proof	Up to IP67-rated for Weather-resistant Performance
	Housing	Vandal-proof IK10-rated Metal Housing
	Surge Protection	4KV
	Weight	1623g
	Dimensions	320mmX134mmX171mm
	Warranty	3/5 Years



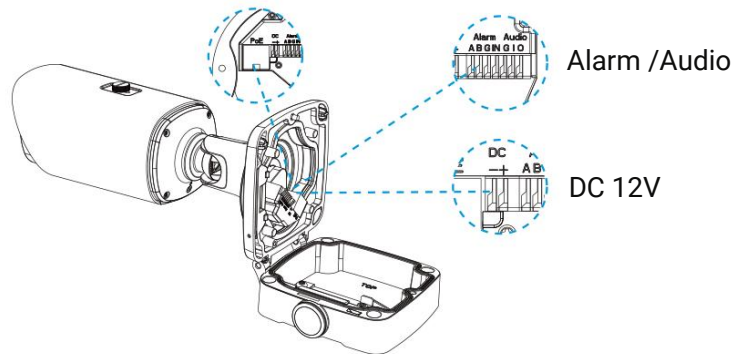
Structure Diagrams

microSD/SDHC/SDXC Card Slot

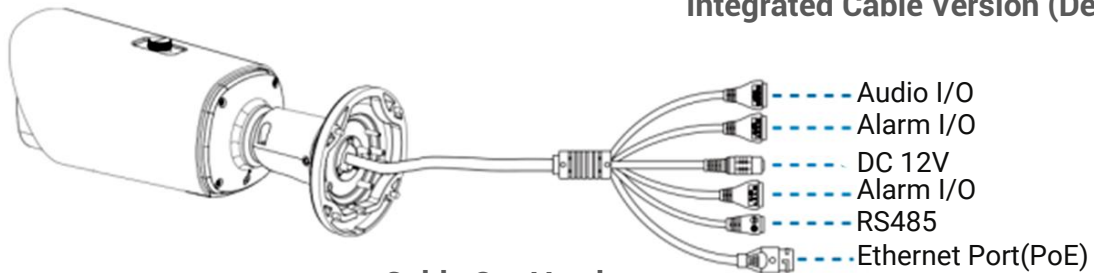
Reset



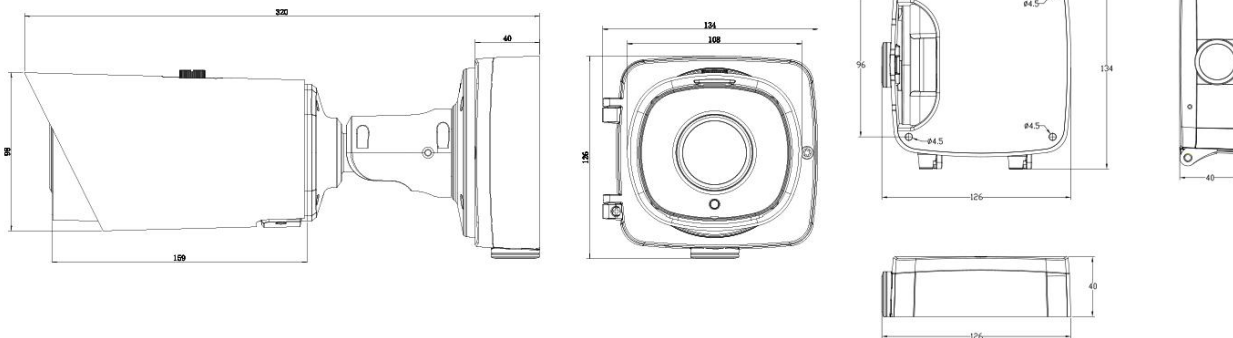
Ethernet Port(PoE)



Integrated Cable Version (Default)



Cable Out Version (Optional)



Units: mm

Accessories Support

A62 Junction Box (Default)

Weight: 510g

Dimensions: 134*126*40mm



A01 Pole Mount

Weight: 720g

Dimensions: 170*51.5*152.6mm



A03 External Corner Bracket

Weight: 900g

Dimensions: 170*152.5*76.3mm

